

D CARE AND WARNING

WARNING: Changes or modifications to this unit not expressly approved by the party responsible for compliance could void the user's authority to operate the equipment.


NOTE: This equipment has been tested and found to comply with the limits for a Class B digital device, pursuant to Part 15 of the FCC Rules. These limits are designed to provide reasonable protection against harmful interference in a residential installation. This equipment generates, uses and can radiate radio frequency energy and, if not installed and used in accordance with the instructions, may cause harmful interference to radio communications.

However, there is no guarantee that interference will not occur in a particular installation. If this equipment does cause harmful interference to radio or television reception, which can be determined by turning the equipment off and on, the user is encouraged to try to correct the interference by one or more of the following measures:

- Reorient or relocate the receiving antenna.
- Increase the separation between the equipment and receiver.
- Connect the equipment into an outlet on a circuit different from that to which the receiver is connected.
- Consult the dealer or an experienced radio/panel PC technician for help.

This device complies with Part 15 of the FCC Rules. Operation is subject to the following two conditions:

- (1) this device may not cause harmful interference, and
- (2) this device must accept any interference received, including interference that may cause undesired operation.

 Correct Disposal of this product. This marking indicates that this product should not be disposed with other household wastes throughout the EU. To prevent possible harm to the environment or human health from uncontrolled waste disposal, recycle it responsibly to promote the sustainable reuse of material resources. To return your used device, please use the return and collection systems or contact the retailer where the product was purchased. They can take this product for environmental safe recycling.

The power consumption of the product in networked standby is 5.7W which all wired network ports are connected and all wireless network ports are activated.

" FCC & CE RF Radiation Exposure Statement Caution: To maintain compliance with the FCC & CE's RF exposure guidelines, place the product at least 20cm from near by persons. "

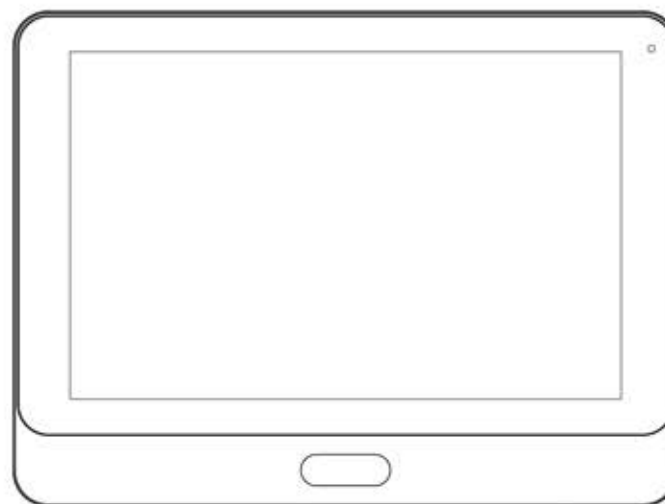
Power Adapter information:
Model No.: KSASB0241200150D5
INPUT: 100-240V~50/60Hz 0.6A
OUTPUT: 12V = 1.5A

ResourceXpress by QED Advanced
Systems Limited. The Hive,
Beaufighter Road,
Weston-super-Mare, BS24 8EE
UK

Quick Start Guide

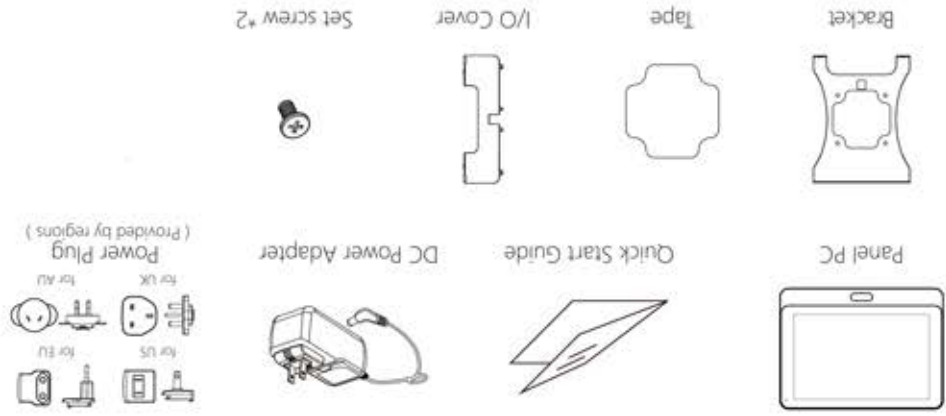
This quick guide will help you go through installation quickly

Aura Meeting Room Screen for ResourceXpress

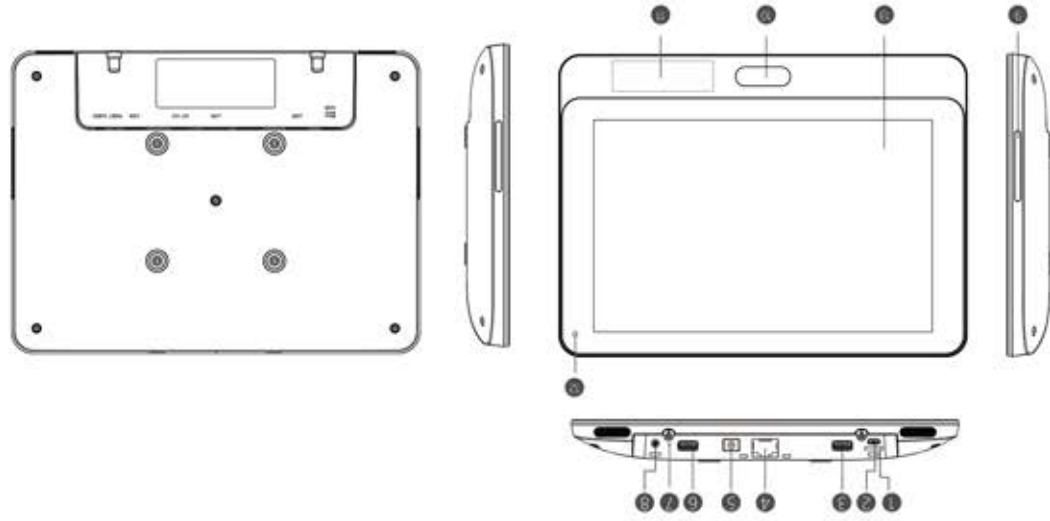


The colour and the appearance may differ depending on the product, and the specifications are subject to change without prior notice to improve the performance.

A Contents



B Indication

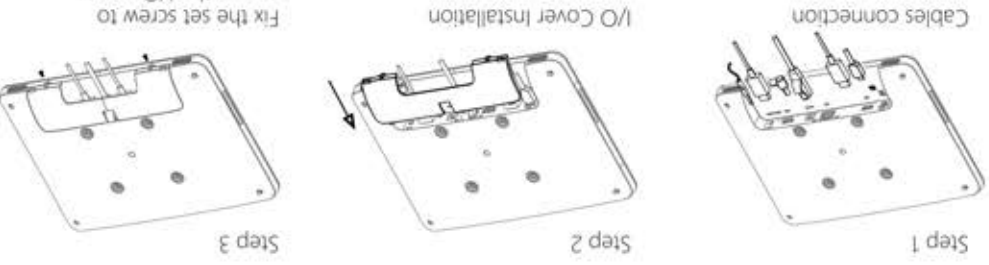


- 1 Micro SDHC
- 2 AD8
- 3 USB
- 4 Reset
- 5 Audio Out
- 6 LAN (PoE+)
- 7 Display

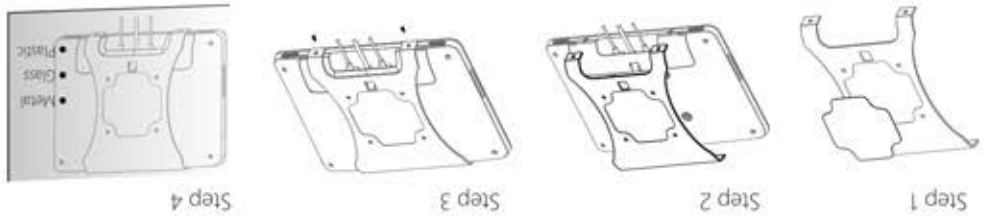
- 8 Side indicator light bar
- 9 Front indicator light bar
- 10 NFC
- 11 Camera

C Installation

1. Cables connection



2. Tape Mount



3. Surface Mount



* This panel PC is also compatible with VESA mounting 75mmx75mm and recommend to use M4 screws to lock. The suggested length of the M4 screw is that the thickness of VESA mounting bracket plus 8mm.