



Let RX SaaS Take the Strain!

Let us host and manage your ResourceXpress server, freeing up administration and internal or virtual server hosting costs. Choose from our multi-tenant "Corporate" or dedicated single-tenant "Enterprise" services to meet the level of service and control you need.

RX SaaS moves the responsibility of hosting, managing and maintaining your workspace management systems to ResourceXpress RX SaaS for one predictable annual cost.

We will keep your application up to date with continuous software development and provide all the remote support you need. Active monitoring and reporting for Enterprise customers ensures your system is automatically configured for optimum performance to meet the ever changing demands of your business.

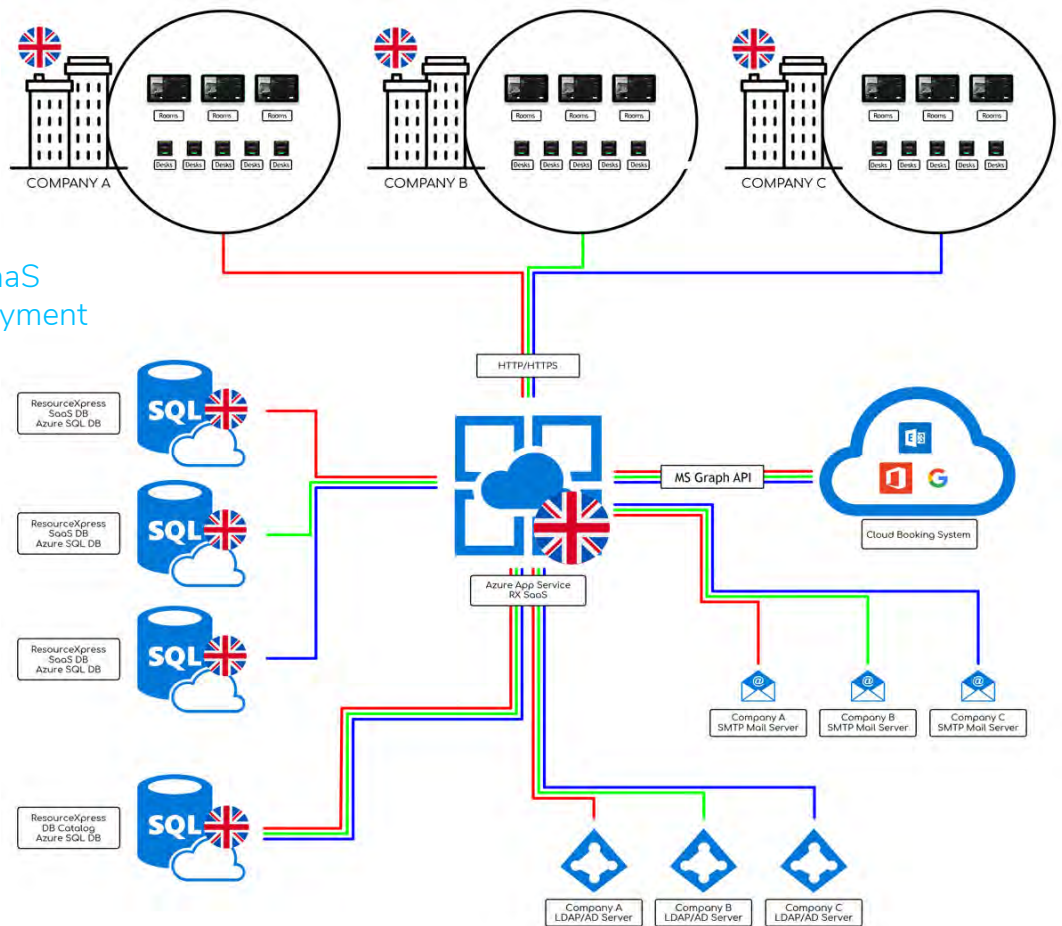


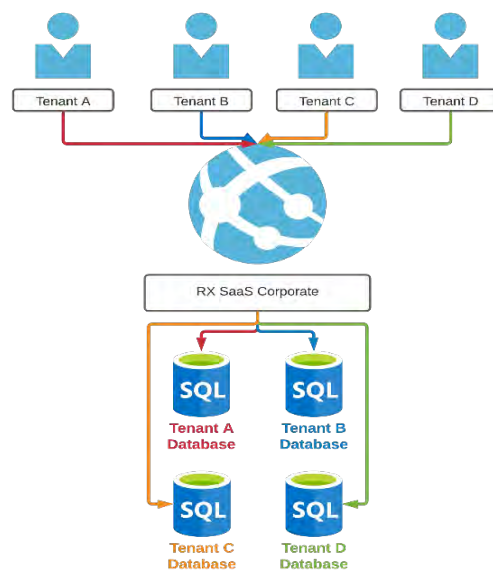
Image shows RX SaaS Corporate UK deployment

RX SaaS benefits

- ❖ Reduce costs – Free up Internal resources – increase productivity
- ❖ Stay up to date – Get latest versions with planned maintenance upgrades
- ❖ Save time and money – We will deploy all updates and patches
- ❖ Increase user adoption – Get access to all the latest RX SaaS tools such as Mobile Kiosk, Maps and RX Mobile apps
- ❖ Performance scaling – ResourceXpress will monitor and optimize your system to meet your demands
- ❖ Grow – Easily migrate and upscale your systems to meet demands and global growth
- ❖ Easy start up – With multi-tenant services
- ❖ Increase reliability – Dedicated SaaS services provide multi server traffic management and resilience by regional specific or global systems

RX SaaS Corporate

Standard multi-tenant, single server
– This is the simplest and quickest deployment for RX SaaS



RX SaaS Enterprise

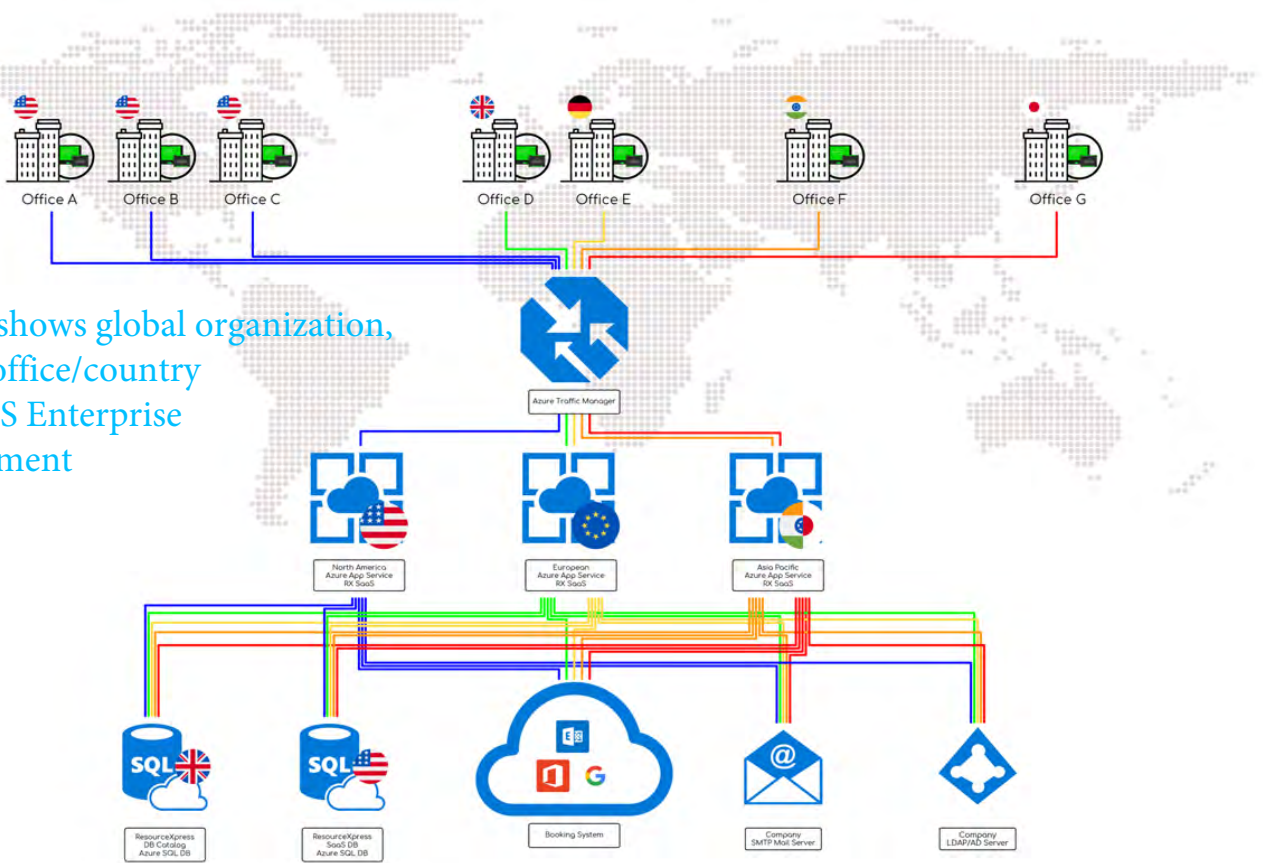
Dedicated multi server – RX SaaS Enterprise benefits from a dedicated client application server and dedicated database per client.

It provides multi server resilience and load balancing for global scalability.

Extra security with ISO27001 information management security monitoring and auditing processes.

Guaranteed scheduled uptime >99.95%

Image shows global organization, multi-office/country RX SaaS Enterprise deployment



USA
ResourceXpress Inc, 467 Forrest Ave, Unit 119, Cocoa, FL 32922
Tel: +1-201 256 1601
Email: ussales@qedas.com

UK
QED ResourceXpress, 22 Bridgwater Court, Weston-super-Mare, BS24 9AY
Tel: +44 (0)1934 836960
Email: sales@qedas.com

www.ResourceXpress.com